

# Air Conditioning

## Product Information

### PLA-ZRP100BA : Inverter Heat Pump

R410A 4-Way Blow Ceiling Cassette System



Our wide range of Power Inverters offer customers high seasonal efficiency, advanced control options and quiet operation, whilst providing greater flexibility and ease of installation.

## FEATURES



### INDOOR

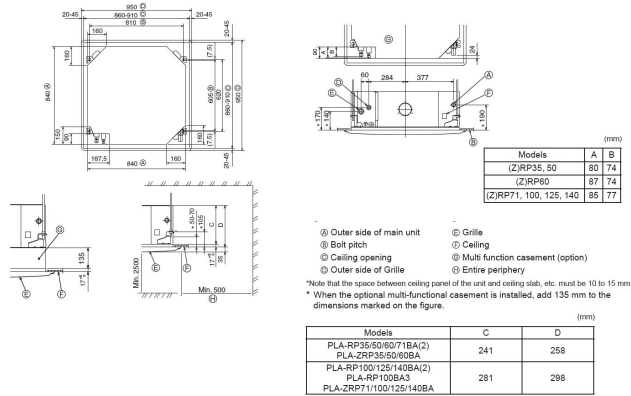
Heating Capacity (kW) (nominal)	11.2 (4.5 - 14)
Cooling Capacity (kW) (nominal)	10 (4.9 - 11.4)
Heating Capacity (kW) (UK)	9.5 (3.85 - 11.9)
Cooling Capacity (kW) (UK)	9.2 (4.5 - 10.5)
SHF (nominal and UK)	0.74
COP / EER (nominal)	4.29 / 3.85
SCOP / SEER	4.6 / 6.5
Energy Efficiency Class - Heating / Cooling	A++ / A++
Pipe Size Gas (mm [in])	15.88 (5/8")
Pipe Size Liquid (mm [in])	9.52 (3/8")
Airflow (m³/min) Lo-Mi-Mi2-Hi	20 - 23 - 26 - 30
Sound Pressure Level (dBA) Lo-Mi-Mi2-Hi	32 - 34 - 37-40
Sound Power Level (dBA) Cooling	65
Dimensions (mm) Width x Depth x Height	840(950) x 840(950) x 298(35)
Weight (kg) Unit / grille	26 / 6
Electrical Supply	FED BY OUTDOOR UNIT
Phase	SINGLE
Fuse Rating (BS88) - HRC (A)	6
Interconnecting Cable No. Cores	4

### OUTDOOR

Sound Pressure Level (dBA) Heating / Cooling	51 / 49
Sound Power Level (dBA) Cooling	69
Weight (kg)	116
Dimensions (mm) Width x Depth x Height	1050 x 330+30 x 1338
Electrical Supply	220-240V, 50HZ
Phase	SINGLE
System Power Input (kW) - Heating / Cooling (nominal)	2.61 / 2.60
System Power Input (kW) - Heating / Cooling (UK)	2.32 / 2.21
Starting Current (A)	12
System Running Current (A) [MAX] - Heating / Cooling	11.90 / 11.87 [27.2]
Fuse Rating (BS88) - HRC (A)	32
Mains Cable No. Cores	3
Max Pipe Length (m)	75
Max Height Difference (m)	30
Charge R410A (kg) - Pre charged length (m)	5 - 30

### DIMENSIONS

PLA-ZRP100BA



### DIMENSIONS

PUHZ-ZRP100VKA

